



water solutions

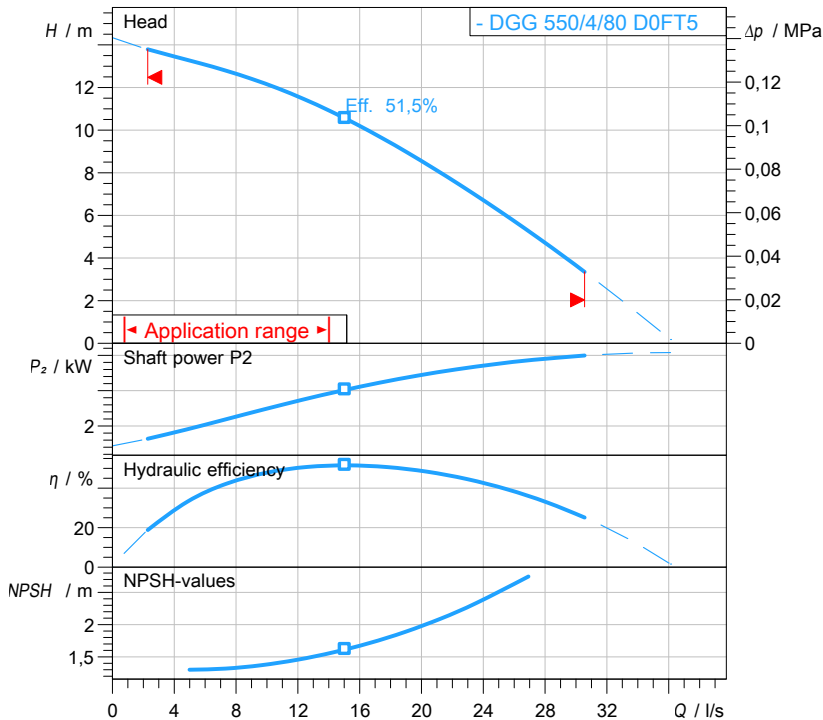
# Data sheet

## DGG 550/4/80 D0FT5

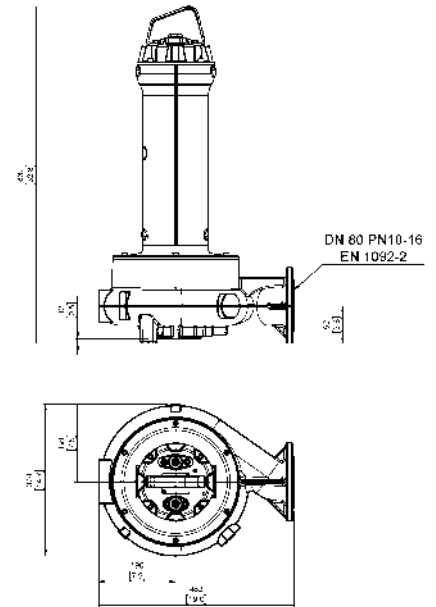
**GREY**  
series

### Technical specification

3~ 50 Hz



Characteristic curves according to UNI EN ISO 9906:2012  
P<sub>2</sub><10kW: paragraph 4.4.2  
10kW<P<sub>2</sub><100kW: Grade 3B  
P<sub>2</sub>>100kW: Grade 2B



[1/2]

#### Pump

Series	GREY series
Pump name	DGG 550/4/80 D0FT5
Configuration	NGTSB51040N00NN
Standard	CE

#### Operating limits (standard pumps)

Max. ambient temperature	40 °C
Max. density treated liquid	1100 kg/m <sup>3</sup>
pH treated liquid	6 ÷ 14
Max. start per hour (equally distributed)	30
Wet/dry use	WET
Max. acoustic pressure level	70 dB
Operating mode	S1 - Continuous use

#### Motor data

Rated voltage	400 V
Frequency	50 Hz
Motor phases	3~
Number of poles	4
Rated power P <sub>2</sub>	4,00 kW
Incoming power P <sub>1</sub>	4,62 kW
Rated current	8,4 A
rpm	1433 1/min
Efficiency	86,6 %
cos φ	0,794
Rated torque	26,7 Nm
Start	Direct starting
Starting current	49,3 A
Degree of protection	IP 68
Insulation class	H
Capacitor	
Starting Capacitor	

#### Construction materials

Case	Cast iron EN-GJL 250
Shaft	Stainless steel AISI 431
Hydraulic	Cast iron EN-GJL 250
Impeller	Cast iron EN-GJL 250
Painting/Coating	Bi-epoxy 200 μm sea water resistant
Screws	Stainless steel - Class A2-70
Gaskets	NBR

#### Construction features

Cooling system	No cooling jacket
Main cable	4G1,5 + 3x1
Cable length	10 mt
Mechanical seals	2 in silicon carbide (2SiC)
Additional drilling	-
Weight*	97 kg
Electrical variant	Thermal protection and leakage sensor

\* cable, stand and guiding system excluded

#### Hydraulic

Type	DG (Set-back Vortex)
Free passage	60 mm
Impeller type	Set-back Vortex impeller
Max. hydraulic efficiency	51,5 %
Suction	DN 80 UNDRILLED
Discharge	DN 80 EN 1092-2

Rev. 0 - 16-12-2014

All data shown are not binding. Zenit reserves the right to change data and dimensions without notice.

Created on 2019-09-19

zenit.com

Page 1 / 3



water solutions

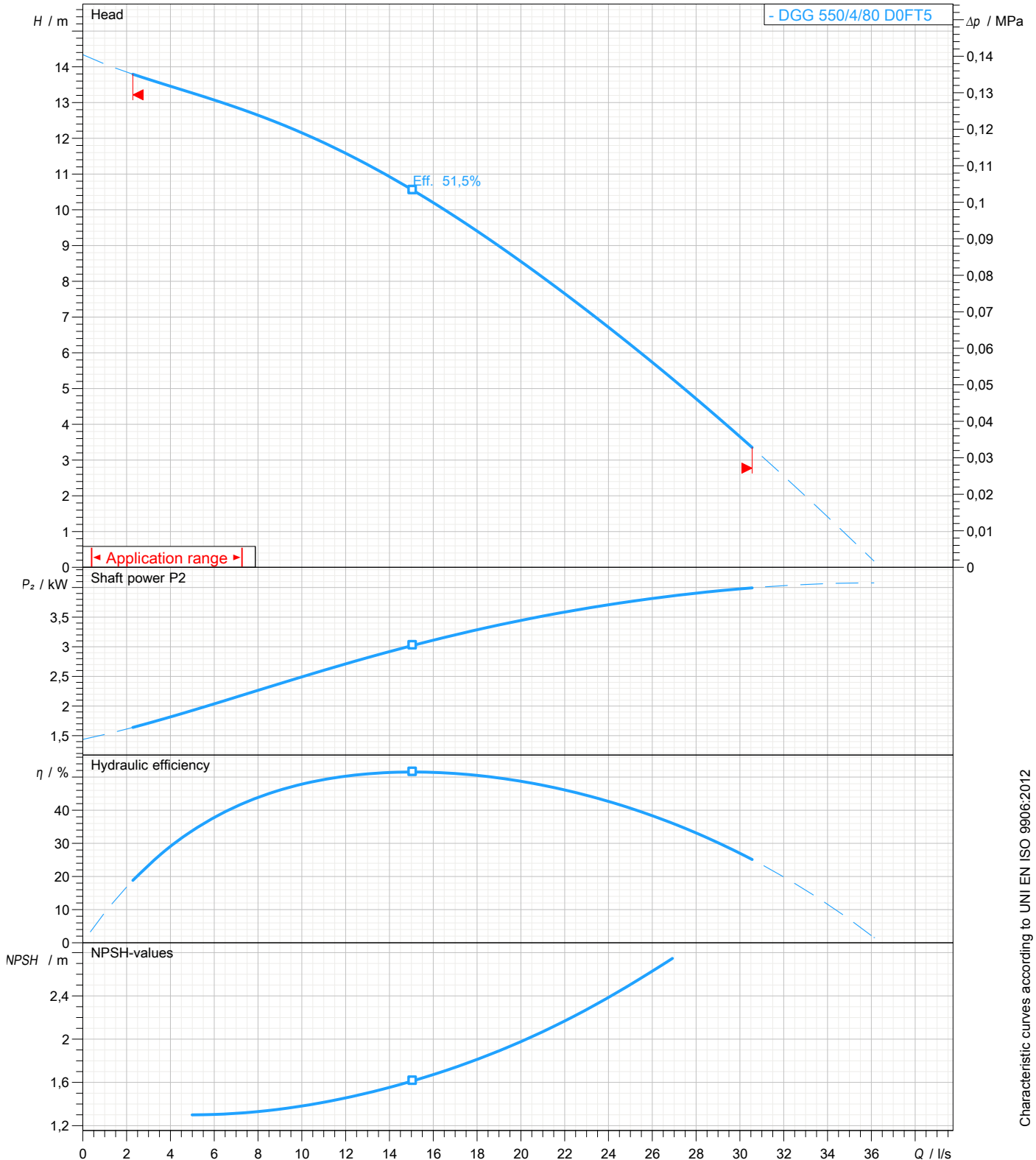
# Data sheet DGG 550/4/80 D0FT5

GREY  
series

## Pump performance curves

3~ 50 Hz

<b>Hydraulic type</b> DG (Set-back Vortex)		<b>Impeller type</b> Set-back Vortex impeller		<b>Free passage</b> 60 mm	<b>Discharge</b> DN 80	<b>Suction</b> DN 80
DUTY POINT						
<b>Flow</b>	<b>Head</b>	<b>Shaft power P2</b>	<b>Hydraulic efficiency</b>	<b>Density</b> 998,3 kg/m <sup>3</sup>	<b>Viscosity</b> 1,005 mm <sup>2</sup> /s	



Characteristic curves according to UNI EN ISO 9906:2012  
P2<10kW: paragraph 4.4.2  
10kW<P2<100kW: Grade 3B  
P2>100kW: Grade 2B



water solutions

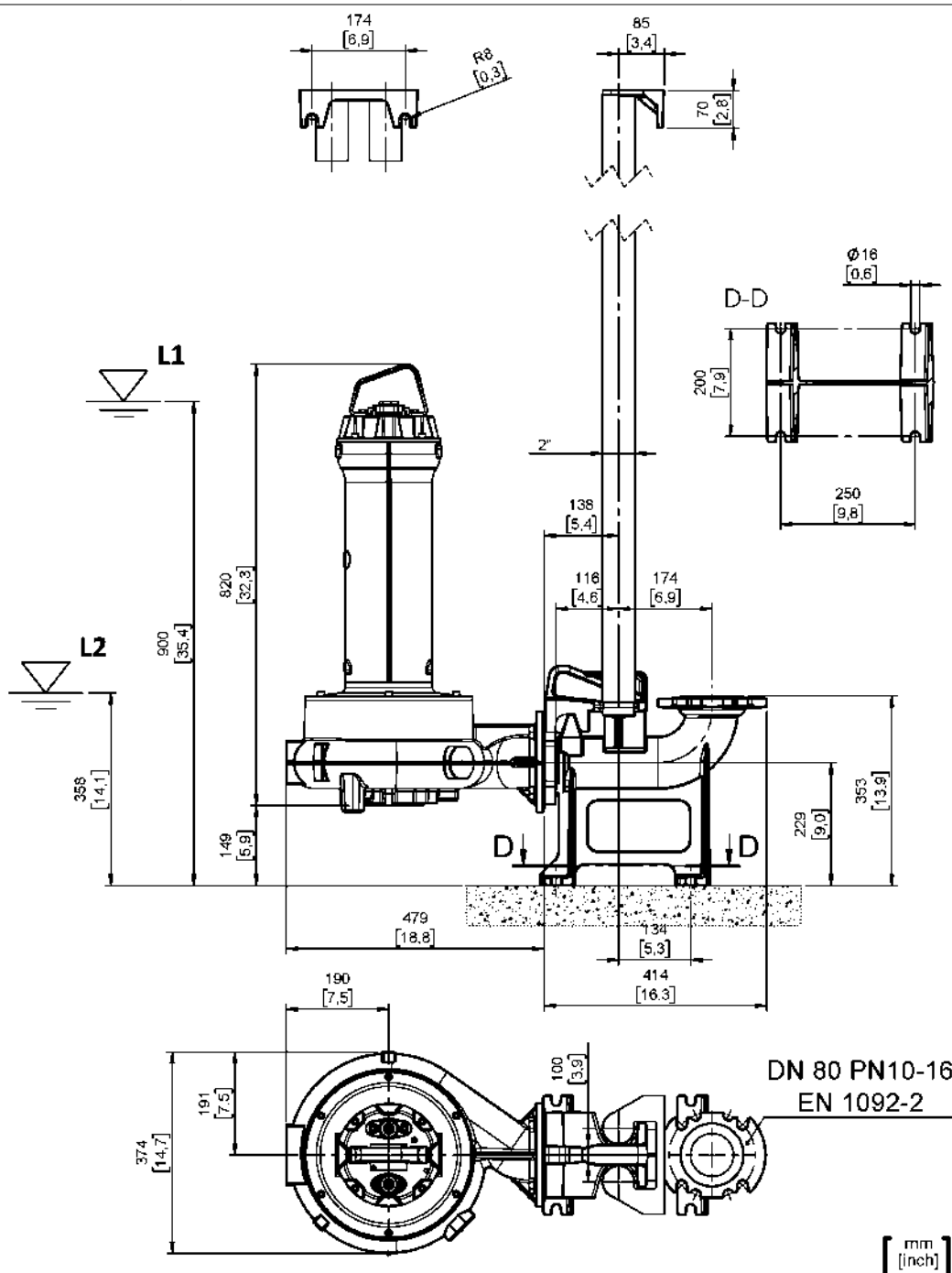
# Data sheet DGG 550/4/80 D0FT5

GREY  
series

## Dimensional drawing

3~ 50 Hz

<b>Installation type</b> Installation with bottom coupling device - Vertical outlet		
<b>Wet/dry use</b> WET	<b>Drilling variant</b> N	<b>Flushing valve - drilling</b> -
<b>Discharge</b> DN 80 EN 1092-2	<b>Suction:</b> DN 80 UNDRILLED	<b>Pressure rating (suction/discharge)</b> -/PN 10
<b>Accessory</b> DAC 80/80V+KAF 116-2" EN (P)		<b>Accessory code</b> 9001.032
<b>Note: Accessory must be ordered separately</b>		



L1: Minimum operating level for continuous use

L2: Minimum operating level for discontinuous use